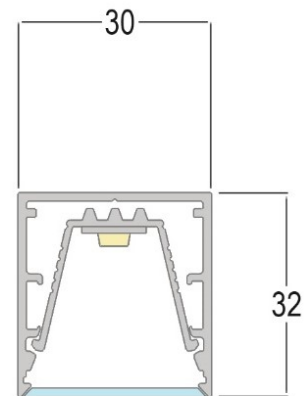
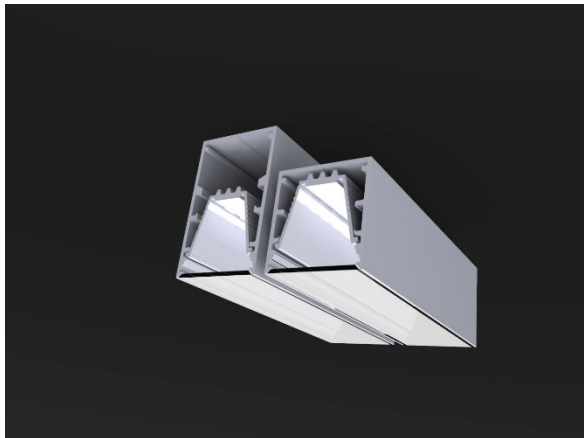


Minimal _300X320

Surface Mounted / Pendant LED aluminum channel for general lighting.

3D module

Line drawing



DC
24V



LM
79

LM
80



Installation information

Area

Wall/ Ceiling

Method

Surface Mounted / Pendant

Technical general

System power	36W
Material	Aluminum
Appearance color	White/Black
Size	300*320
Ingress protection	IP20
Input voltage	24VDC
Electrical level	Class I

Electrical parameters

Driver brand	Mw- MEAN WELL
Driver type	Lpv-150-24
Electrical installation	EXLUDED

Light source parameters

Brand	Class A LED
Power	36W/m
Light color	WW
Color temperature	3000K
CRI	85
